

## 10. Maintenance and Cleaning

The following points have to be considered during the inspection:

- 1) All screws for installing the devices or parts of the device have to be tightly connected and must not be corroded.
- 2) There must not be any deformations on the housing, color lenses, fixations and installation spots (ceiling suspension, trussing).
- 3) Mechanically moved parts must not show any traces of wearing and must not rotate with unbalances.
- 4) The electric power supply cables must not show any damage, material fatigue or sediments. Further instructions depending on the installation spot and usage have to be adhered by a skilled installer and any safety problems have to be removed.



### **CAUTION!**

**Disconnect from mains before starting maintenance operation.**

In order to make the lights in good condition and extend the life time, we suggest a regular cleaning to the lights.

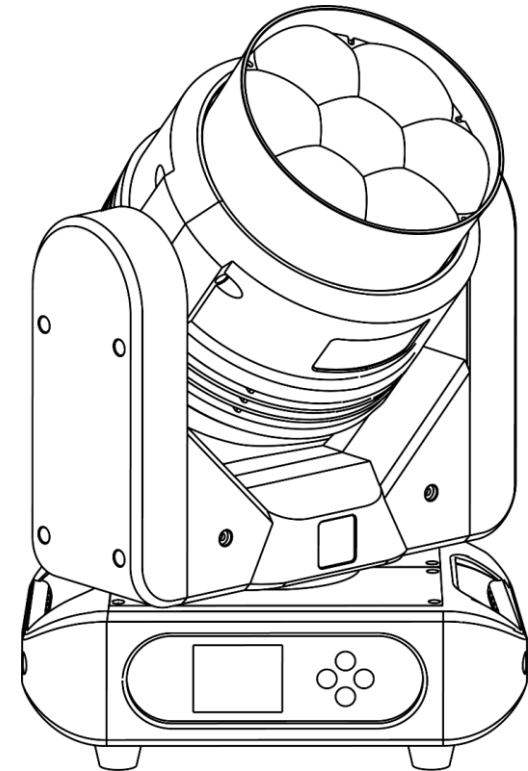
- 1) Clean the inside and outside lens each week to avoid the weakness of the lights due to accumulation of dust
- 2) Clean the fan each week
- 3) A detailed electric check by approved electrical engineer each three month, make sure that the circuit contacts are in good condition, prevent the poor contact of circuit from overheating.

We recommend a frequent cleaning of the device. Please use a moist, lint-free cloth. Never use alcohol or solvents.

There are no serviceable parts inside the device. Please refer to the instructions under "Installation instructions".

Should you need any spare parts, please order genuine parts from your local dealer.

## LED BEAM WASH 7x60w



## USER MANUAL

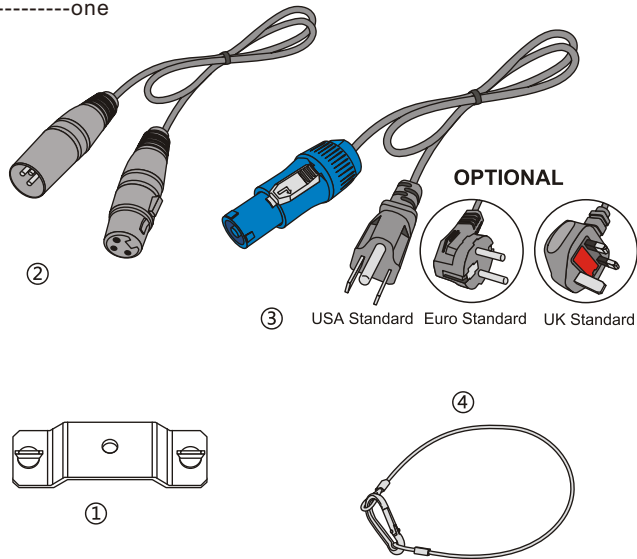
# 1.Unpacking

Thanks for choosing the F-0760BW.For your own safety,please read this manual before installing the devices.This manual cover the important information on the installation and applications.Meanwhile please keep this manual for the future needs.

The F-0760BW is made of a new type of high temperature strength of engineering plastic and cast aluminum with nice look.The fixture is designed and manufactured strictly following CE and RoHs Standards,complying with international standard DMX 512 protocol.It's available independently controlled and linkable with each other for operation.And it is applicable for large-scale live performances,theater,studio,night clubs and discos.

F-0760BW adopts powerful 60W OSRAM RGBW LED which features high brightness and stability.Please carefully unpack it when you receive the fixture and check whether it is damaged during the transportation.And please check whether the following item are included inside the carton box:

- Moving head-----one
- Omega clamp-----one
- Signal cable-----one
- Power cable-----one
- Safty wire-----one



# 9.Specifications

**OPTICS:**

- Light source:7×60W Osram RGBW LEDs,50,000 hs.
- Color temperature: 2500-8000k adjustable

**MOVEMENT:**

- Extremely accurate positioning
- High-resolution stepper motors ensure extreme accuracy and smooth movements.
- Auto-positioning,pan movement: 540°(16 bit), tilt movement:270°(16 bit)

**COLORS:**

- Linear RGBW ,color mixing with unlimited colors, dynamic colour macro effect with variable speed
- Super uniform light beam with no colour shadows;

**EFFECT SECTION:**

- Wash, beam
- 3.5°-60° Electronic Zoom angle
- Digital Wash-Beam effect
- Beam edge softening control (in Wash mode)
- 0-100% linear electronic dimmer without color variation
- Adjustable speed stop/strobe effect with instantaneous blackout
- Dedicated channel for color temperature setting
- RGBW auto-tuning
- Control mode: International standard DMX512,3-pin/5-pin DMX512
- Standard mode :21channels, Sound control mode, Stand-alone mode

**OTHER FUNCTION:**

- LED over temperature protection
- Advanced cooling system,intelligent control of wind speed
- Display working temperature
- DMX Software update
- Show software version number
- Display LEDs and lanterns use time
- Gravitation sensor for auto screen positioning
- 100% brightness without stroboscopic problem
- Special flicker free management for HD and UHD cameras, ready for 8K and 16K
- Manual programming function
- Manual fine calibration function
- DMX and RDM data

**POWER SUPPLY:**

- Power consumption: 500W@220V
- AC100-240V,50/60Hz

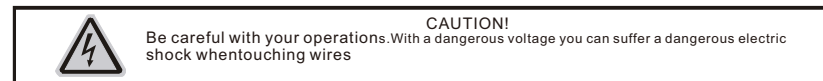
**PACKING AND DIMENSION:**

- Carton size:490X405X315(MM)
- Flight case size:790x520x620(MM)
- Net weight:9KG

## 21 Channels:

Channel	Function	DMX value	Feature
1	Red	0~65535	
2	Red fine		
3	Green	0~65535	
4	Green fine		
5	Blue	0~65535	
6	Blue fine		
7	White	0~65535	
8	White fine		
9	Color temperature	0~4	NC
		6~255	Temperature from cold to warm
10	Color marco	0~1	NC
		2~239	Colour macro
		240~255	Rainbow effect from slow to fast
11	Strobe	0~131	NC
		132~175	Half strobe from slow to fast
		176~247	Flash strobe from slow to fast
		248~251	Sync random strobe
		252~255	Asynchronous random strobe
12	Dimmer	0~65535	
13	Dimmer fine		
14	Pan		
15	Pan fine		
16	Tilt		
17	Tilt fine		
18	Dimmer mode	0~31	806Hz-auto
		32~63	806Hz-fast
		64~95	1562Hz-auto
		96~127	1562Hz-fast
		128~159	5000Hz-auto
		160~191	5000Hz-fast
		192~223	8333Hz-auto
		224~255	8333Hz-fast
19	Reset	21~30	Reset all
20	Zoom	0~255	Zoom from wide to narrow
21	Reserve		

## 2.safety instructions



This device has left the factory in perfect condition. In order to maintain this condition and to ensure a safe operation, it is absolutely necessary for the user to follow the safety instructions and warning notes written in this user manual.

If the device has been exposed to temperature changes due to environmental changes, do not switch it on immediately. The arising condensation could damage the device. Leave the device switched off until it has reached room temperature.

This device falls under protection-class I. Therefore it is essential that the device be earthed.

The electric connection must carry out by qualified person.

The device shall only be used with rate voltage and frequency.

Make sure that the available voltage is not higher than stated at the end of this manual.

Make sure the power cord is never crimped or damaged by sharp edges. If this would be the case, replacement of the cable must be done by an authorized dealer.

Always disconnect from the mains, when the device is not in use or before cleaning it. Only handle the power cord by the plug. Never pull out the plug by tugging the power cord.

During initial start-up some smoke or smell may arise. This is a normal process and does not necessarily mean that the device is defective, it should decrease gradually.

Please don't project the beam onto combustible substances.

Fixtures cannot be installed on combustible substances, keep more than 50cm distance with wall for smooth air flow, so there should be no shelter for fans and ventilation for heat radiation.

If the external flexible cable or cord of this luminaire is damaged, it shall be exclusively replaced by the manufacturer or his service agent or a similar qualified person in order to avoid a hazard.

### 3. Operation Instructions.

- The moving head is for beam effect for onsite decoration purpose.
- Don't turn on the fixture if it's been through severe temperature difference like after transportation because it might damage the light due to the environment changes. So make sure to operate the fixture until it is in normal temperature.
- This light should be keep away from strong shaking during any transportation or movement
- Dont pull up the light by only the head, or it might cause damages to the mechanical parts
- Don't expose the fixture in overheat, moisture or environment with too much dust when installing it. And don't lay any power cables on the floor. Or it might cause electronic shock to the people.
- Make sure the installation place is in good safety condition before installing the fixture.
- Make sure to put the safety chain and check whether the screws are screwed properly when installing the fixture.
- Make sure the lens are in good condition. It's recommended to replace the units if there are any damages or severe scratch.
- Make sure the fixture is operated by qualified personnel who knows the fixture before using
- Keep the original packages if any second shipment is needed.
- Dont try to change the fixtures without any instruction by the manufacturer or the appointed repairing agencies.
- It is not in warranty range if there are any malfunctions from not following the user manual to operate or any illegal operation, like shock short circuit, electronic shock, lamp broke, etc.

### 4. Mounting and Installation

Cautions: For added protection mount the fixtures in areas outside walking paths, seating areas, or in areas were the fixture might be reached by unauthorized personnel.

Before mounting the fixture to any surface, make sure that the installation area can hold a minimum point load of 10 times the devices weight.

Fixture installation must always be secured with a secondary safety att attachment, such as an appropriate safety cable.

### 8. Control Channels

16 Channels:

Channel	Function	DMX value	Feature
1	Red	0~65535	
2	Green	0~65535	
3	Blue	0~65535	
4	White	0~65535	
5	Color temperature	0~4	NC
		6~255	Temperature from cold to warm
6	Color marco	0~1	NC
		2~239	Colour macro
		240~255	Rainbow effect from slow to fast
7	Strobe	0~131	NC
		132~175	Half strobe from slow to fast
		176~247	Flash strobe from slow to fast
		248~251	Sync random strobe
		252~255	Asynchronous random strobe
8	Dimmer	0~65535	
9	Pan		
10	Pan fine		
11	Tilt		
12	Tilt fine		
13	Dimmer mode	0~31	806Hz-auto
		32~63	806Hz-fast
		64~95	1562Hz-auto
		96~127	1562Hz-fast
		128~159	5000Hz-auto
		160~191	5000Hz-fast
		192~223	8333Hz-auto
		224~255	8333Hz-fast
14	Reset	21~30	Reset all
15	Zoom	0~255	Zoom from wide to narrow
16	Reserve		

## 7.Menu for Control Display

	PROJECT		INSTRUCTION FOR USE
INFORMATION	ADDRESS		1~512
	RUNTIME		TIME
	VERSION		
	TEMPERATURE		
	FAN SPEED		NC
SETTING	RESET		
	CHANNEL SET		16/21
	RUN MODE		DMX512/DEMO/PROGRAM
	OFFLINE SET		HOME/KEEPING
	FAN SET		AUTO/FIXED
	WIRELESS SET		NC
	ADJUST		X/Y/ZOOM/ROTATION
LAMP	AUTO ON		NC
	LIGHT UP		NC
	LAMP ADJUST		NC
	LAMP FAIL		NC
DISPLAY	LANGUAGE		ENGLISH/CHINESE
	BACKLIGHT		ON/OFF/FLASH
	REVERSE		ON/OFF
USER	SETTING LOCK		INPUT CODE
	KEY LOCK		ON/OFF
	TEST		ON/OFF
	PROGRAM		PROGRAM 1~8

Never stand directly below the device when mounting, removing, or servicing the fixture from a ceiling, or set on a flat level surface (see illustration below).

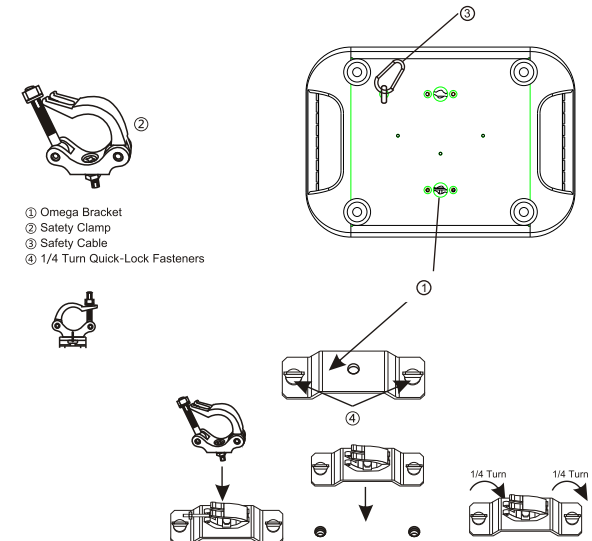
Be sure this fixture is kept at least 0.5m (1.5 f) away from any flammable materials (decoration etc).

Always use and install the supplied safety cable as a safety measure to prevent accidental damage and/or injury in the event the clamp fails.

Mounting points: Overhead mounting requires extensive experience, including amongst others calculating working load limits, a fine knowledge of the installation material being used and periodic safety inspection of all installation material and the fixture. If you lack these qualifications, do not attempt the installation yourself. Improper installation can result in bodily injury.

Be sure to complete all rigging and installation procedures before connecting the main power cord to the appropriate wall outlet.

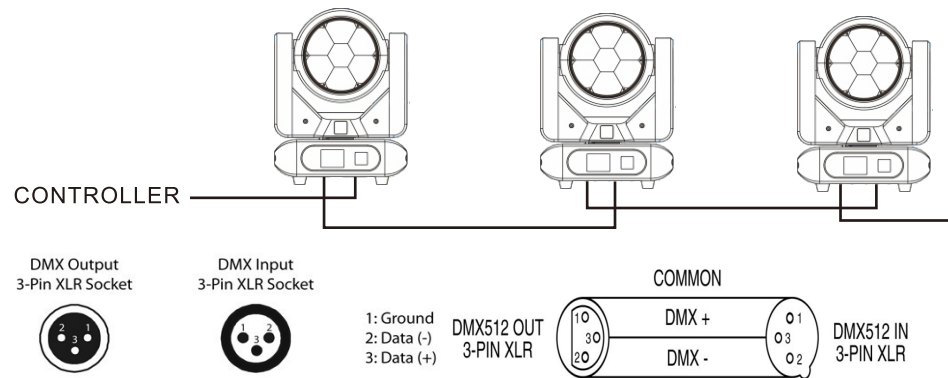
Clamp Mounting: the F-0760BW Moving Head provides a unique mounting bracket assembly that integrates the bottom of the base, the included "Omega Bracket and the safety cable rigging point in one unit (see the illustration below). When mounting this fixture to truss be sure to secure an appropriately rated clamp to the included omega bracket using a M10 screw fitted through the center hole of the "omega bracket". As an added safety measure be sure to attached at least one properly rate the bases.



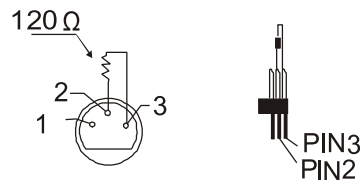
Regardless of the rigging option you choose for your LED wash, always be sure to secure your fixture with a safety cable. The fixture provides a built-in rigging point for a safety cable on the hanging bracket as illustrated above. Be sure to only use the designated rigging point for the safety cable and never secure a safety cable to a carrying handle.

## 5. DMX-512 control connections

Connect the provided XLR cable to the female 3-pin XLR output of your controller and the other side to the male 3-pin XLR input of the moving head. You can chain multiple Moving head together through serial linking. The cable needed should be two-core, screened cable with XLR input and output connectors. Please refer to diagram below DMX-512 connection with DMX terminator.

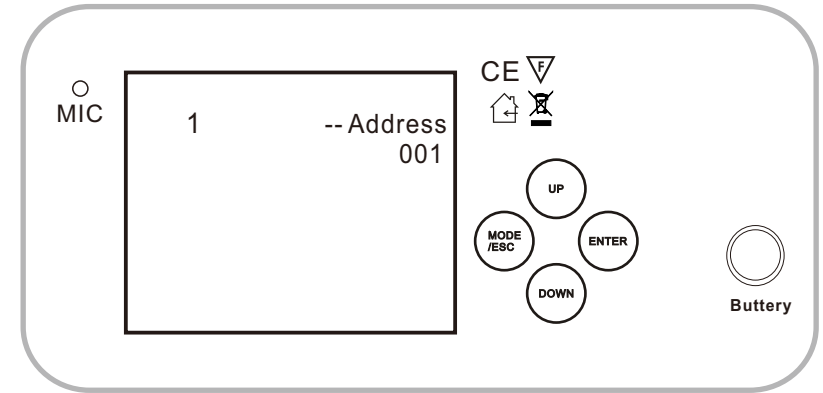


For installations where the DMX cable has to run a long distance or is in an electrically noisy environment, such as in a discotheque, it is recommended to use a DMX terminator. This helps in preventing corruption of the digital control signal by electrical noise. The DMX terminator is simply an XLR plug with a 120 Ω resistor connected between pins 2 and 3, which is then plugged into the output XLR socket of the last fixture in the chain. Please see illustrations below.

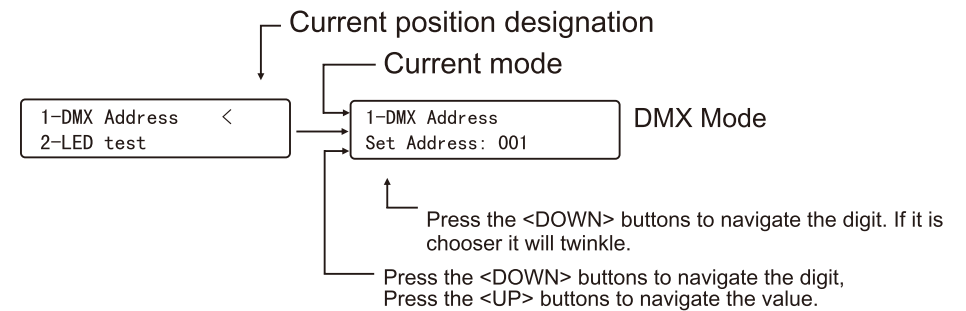


## That Control Display

### 6. Top menu, present the current operation:



2. Press the <UP> or <DOWN> button repeatedly until you reach the desired menu function. Press the <ENTER> button to select the menu function currently displayed, or to enable menu option. To return to the previous option or menu without changing the value. Press the <MODE/ESC> button.



Press the Battery button to set the DMX address. Pls use **3.7V rechargeable lithium battery**, don't use others. Ni-MH batteries, lithium iron phosphate batteries, non-rechargeable batteries, and lithium batteries of other voltages cannot be placed, otherwise, it may cause an explosion after charging.